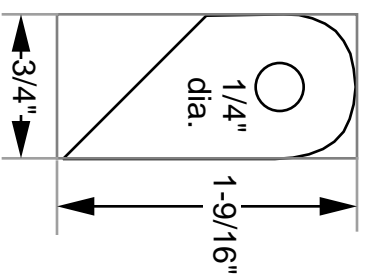
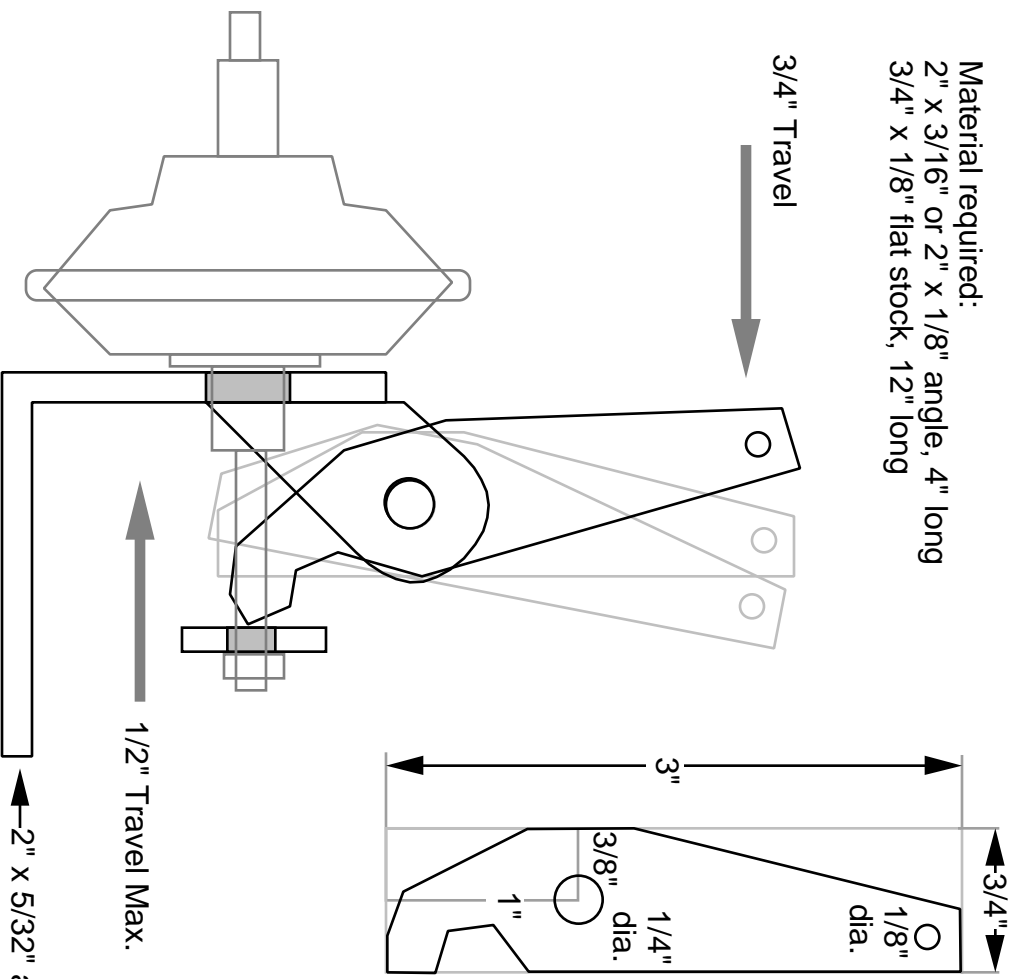


Material required:
 2" x 3/16" or 2" x 1/8" angle, 4" long
 3/4" x 1/8" flat stock, 12" long



Double Actuator Bracket V1

travel increase from 1/2" to 3/4"
 actuation force 133% of single actuator

application in diesel truck installations where extra
 throttle actuator travel is required (some Cummins, etc.)

